



Guadalupe County Fire Marshal Office

Patrick Pinder, Fire Marshal

101 E. Court Street, Suite 208

Seguin, Texas 78155

(830) 303-8856



ALTERNATE WATER SUPPLY

In rural areas of Guadalupe County municipal water systems are not always available, alternative water sources such as water storage tanks, and dry hydrants are used to supply water for firefighting operation. If your project requires an alternative water supply review the reference material on these forms. For any additional questions contact the Fire Marshal's Office.

WATER STORAGE TANKS

1. Tank elevation shall be equal to or higher than the fire department connection on the premises. Regardless of domestic use, all tanks shall be equipped with a device that will ensure that the tank contains the designated amount of water for fire flow duration as determination by the Fire Marshal. Tank size may be increased to serve multiple structures on a single parcel.
2. Supply outlet shall be at least 6 inches in diameter from the base of the tank to the point of outlet a 6-inch butterfly valve to the fire department connection. The fire department connection shall be one 5-inch standard STORZ coupling, additional outlets may be required.
3. Location of the fire department outlet to be determined on the plot plan when submitted to the Fire Marshal. Consideration will be given to topography, elevations, and distance from structures, driveway access, prevailing winds, etc. the fire department outlet shall have an approved surface up to the outlet and 25 feet on either side of the outlet as directed by the Fire Marshal.
4. The outlet shall be located along an access roadway and shall not be closer than 50 feet nor further than 150 feet from the structure.
5. All exposed tank supply pipes shall be of an alloy or other material listed for above ground use. Adequate support shall be provided.
6. Water storage tanks shall be constructed from materials approved by the Fire Marshal and installed per manufacturer recommendations.
7. The Fire Marshal may require any necessary information to be submitted on a plot plan
8. Vessels previously used for products other than water shall not be permitted.
9. Guadalupe County uses NFPA 1142 standard for guidance.

WATER FLOW RATE

Guadalupe County Fire Marshal's Office will calculate the flow rate using the NFPA 1142 standard for each project.

MINIMUM GALLONS REQUIRED

Guadalupe County Fire Marshal's Office will require a minimum water capacity of 30,000 gallons to be maintained at all times while tank is in use for Fire Protection purposes



Guadalupe County Fire Marshal Office

Patrick Pinder, Fire Marshal
101 E. Court Street, Suite 208
Seguin, Texas 78155
(830) 303-8856

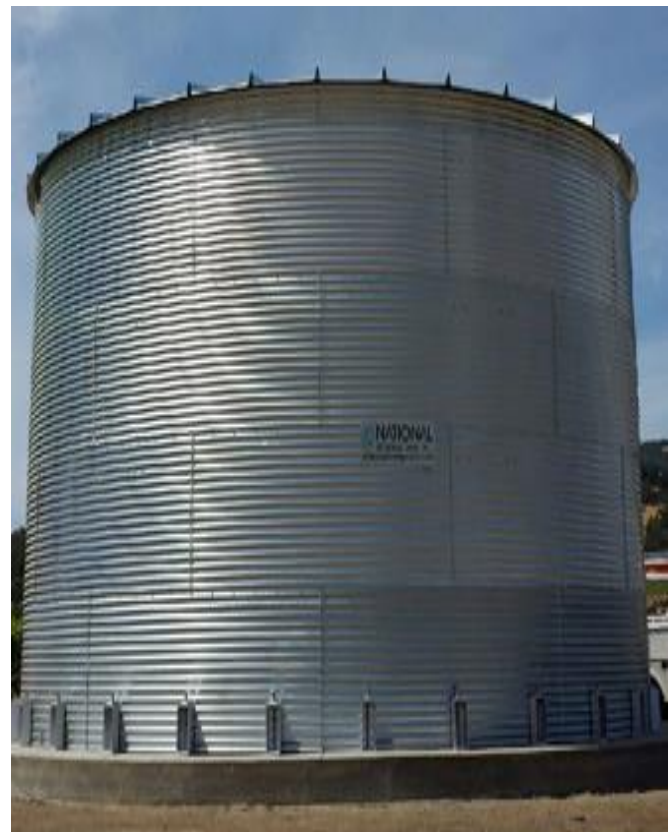


APPROVED TANKS

PLASTIC



METAL



- 2. SUPPLY OUTLET SHALL BE AT LEAST 6 INCHES IN DIAMETER FROM THE BASE OF THE TANK TO THE POINT OF OUTLET A 6-INCH BUTTERFLY VALVE TO THE FIRE DEPARTMENT CONNECTION. THE FIRE DEPARTMENT CONNECTION SHALL BE ONE 5-INCH STANDARD STORZ COUPLING, ADDITIONAL OUTLETS MAY BE REQUIRED.**

THE ABOVE TANKS ARE FOR REFERENCE PURPOSES ONLY. GUADALUPE COUNTY FIRE MARSHAL'S OFFICE DOES NOT RECOMMEND ANY TANK VENDORS.



Guadalupe County Fire Marshal Office

Patrick Pinder, Fire Marshal
101 E. Court Street, Suite 208
Seguin, Texas 78155
(830) 303-8856

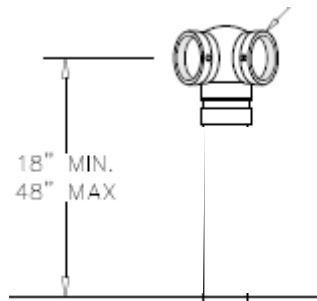


TANK CONNECTIONS

MINIMUM 6" BUTTERFLY VALVE FOR TANKS GREATER THAN 20,000 GALLONS



Tank Connections shall be no less than 18" and not higher than 48"



DRY HYDRANT



Guadalupe County Fire Marshal Office

Patrick Pinder, Fire Marshal

101 E. Court Street, Suite 208

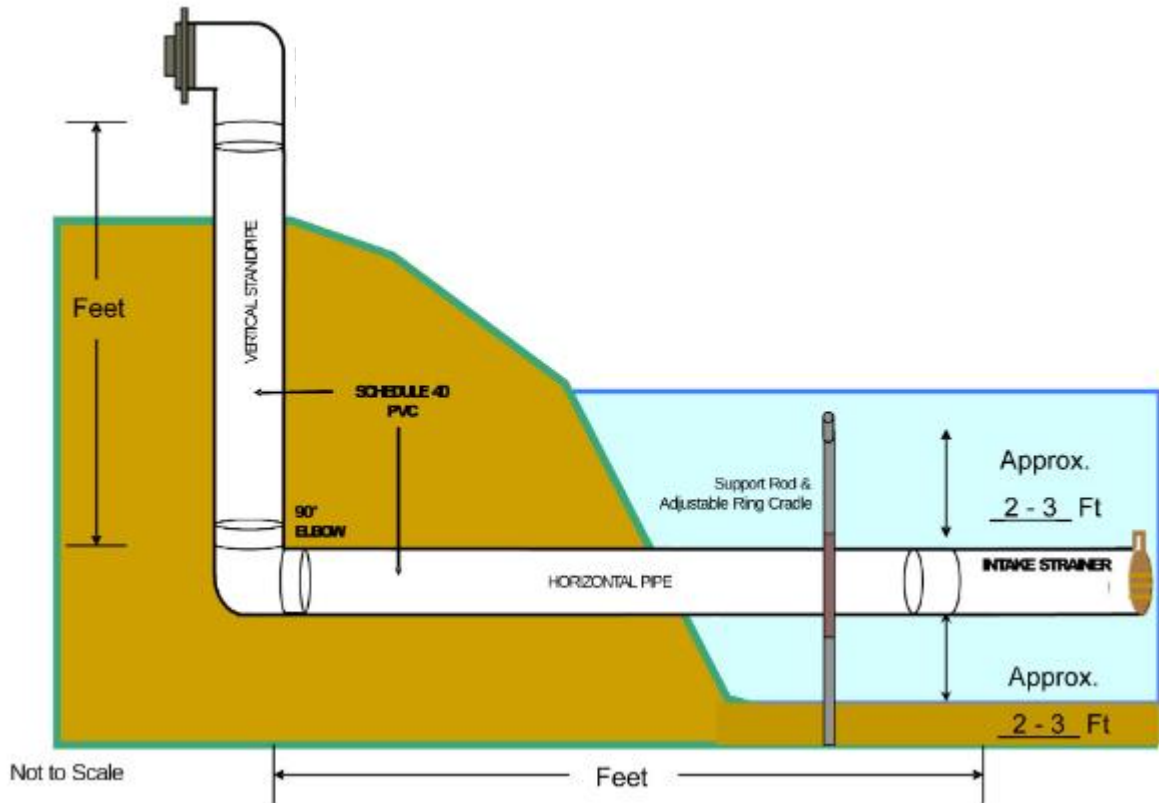
Seguin, Texas 78155

(830) 303-8856

SPECS



A dry hydrant is usually an unpressured, permanently installed pipe that has one end below the water level of a lake or pond. This end usually has a strainer to prevent debris from entering the pipe. The other end above the ground has a hard sleeve connector. When needed, a fire apparatus will pump from the lake or pond by drafting water using the dry hydrant, hard sleeve, sticking up from the ground



REQUIREMENTS

Dry hydrants shall be planned, designed, and installed to meet all federal, state, local and tribal laws and regulations.

Site Accessibility: Prior to construction obtain a letter of approval to use the site from the landowner. Prior to installation of the dry hydrant, review access, topography, elevations, and dry hydrant location with Fire Marshal personnel. Locate or develop fire truck and pumper unit vehicle accessibility to the dry hydrant in conjunction with local fire officials.



Guadalupe County Fire Marshal Office

Patrick Pinder, Fire Marshal

101 E. Court Street, Suite 208

Seguin, Texas 78155

(830) 303-8856



Upon completion of construction, provide a copy of the location map showing the exact site of the hydrant and vehicle access to the local Fire Marshal and to the landowner

Access

- Provide a well-drained all-weather surface access road a minimum of 12 feet wide to facilitate movement by personnel and equipment during an emergency.
- If the dry hydrant is located in a constructed impoundment, locate the access road and fire truck and pumper connection at a higher elevation than the auxiliary spillway.
- After the dry hydrant is installed, grade the site to provide surface drainage and vegetate or otherwise protected from erosion.

Pipe Size

- 6" Schedule 40 PVC Pipe

FDC Connection

- Kochek 6" PVC to 5" STORZ connection

Required Hose

- In order to limit the length of suction lines, locate the fire truck and pumper connection within 10 feet of the edge of the access.
- Two sections of hard suction hose 10 ft long with 5" STORZ on each end..

Signage Required

- Clearly mark the dry hydrant in a manner acceptable to the Fire Marshal.
- Sign must be reflective and indicate (Dry Fire Hydrant) Fire Department Use Only.

Water Requirement: The minimum quantity of water available to a dry hydrant is the amount obtainable at not over 15 feet total static lift during a drought. An adequate volume of water is defined as a minimum of 30,000 gallons (1.1 acre-inches) of pumpable impounded water or a minimum pump flow rate of 250 gallons per minute (gpm) without interruption for 2 hours.

Determine the adequacy of the water supply in accordance with appropriate local criteria. Will be done by the Fire Code Official

Testing: The local Fire Marshal is responsible for performing an initial pump test at the design capacity after installation to confirm satisfactory operation. Give careful attention to silt, debris, or other interference that may limit the full operation of the hydrant.

All installations shall meet the NFPA requirements and the requirements set forth by the Guadalupe County Fire Marshal's Office.